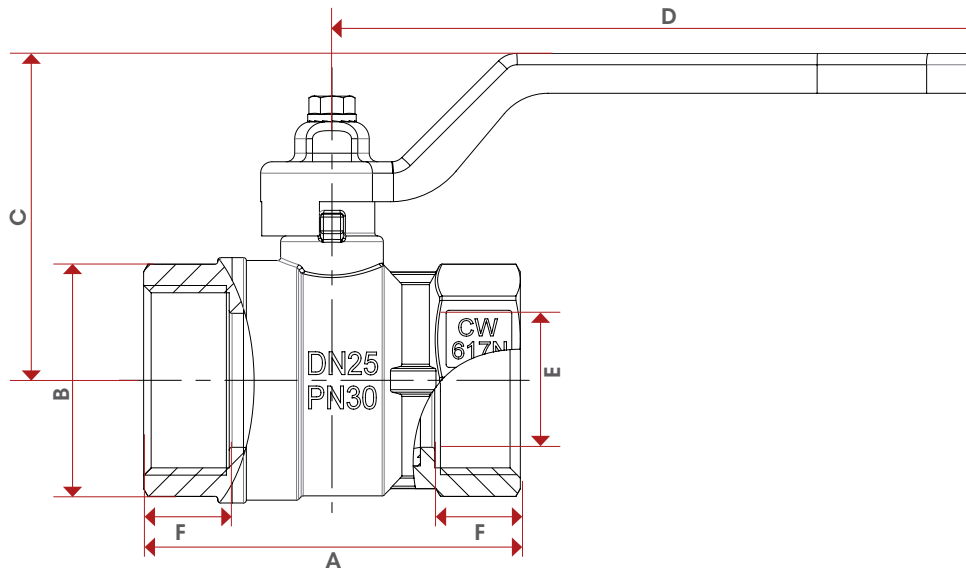


# 116



|                        | 1/4" | 3/8" | 1/2" | 3/4" | 1"   | 1"1/4" | 1"1/2" | 2"    |
|------------------------|------|------|------|------|------|--------|--------|-------|
| DN                     | 8    | 10   | 15   | 20   | 25   | 32     | 40     | 50    |
| A                      | 44,4 | 44,4 | 48   | 53,5 | 66   | 76     | 88     | 103   |
| B                      | 23,5 | 24   | 29   | 36   | 43   | 53     | 63     | 79    |
| C                      | 37   | 37   | 40   | 54   | 57   | 73     | 78     | 94    |
| D                      | 80   | 80   | 80   | 113  | 113  | 138    | 138    | 158   |
| E                      | 10   | 10   | 14   | 18,5 | 23,5 | 30     | 37     | 47    |
| F                      | 10   | 10   | 12   | 12   | 15   | 16     | 18     | 19    |
| Kg/cm <sup>2</sup> bar | 50   | 50   | 30   | 30   | 30   | 25     | 25     | 25    |
| LBS - psi              | 725  | 725  | 435  | 435  | 435  | 362,5  | 362,5  | 362,5 |